

PHANTOM
Serene[™]
Retractable Screens[™]



Unlike conventional fixed screens, Phantom's window screens won't get in the way of your view — they retract out-of-sight when not in use. The sleek and subtle design of the Serene Screen provides protection from insects, shade from the sun and privacy when needed.

Features & Benefits

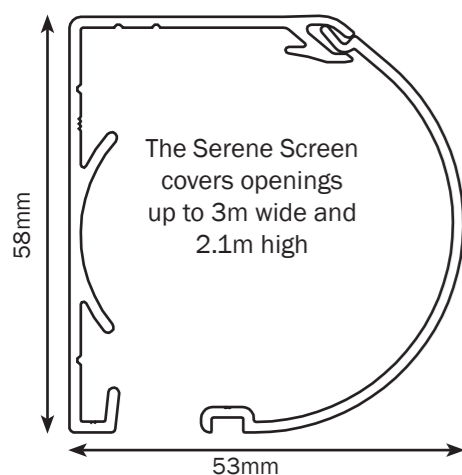
- Innovative design that retracts out of sight when not in use
- Fastens securely with a built in track latch system
- Holds in place during light breezy conditions with its mesh retention system
- Provides full ventilation and protection from both insects and UV rays
- Allows for interior or exterior mount and recessed installation options
- Blends with window frames and existing décor

Applications

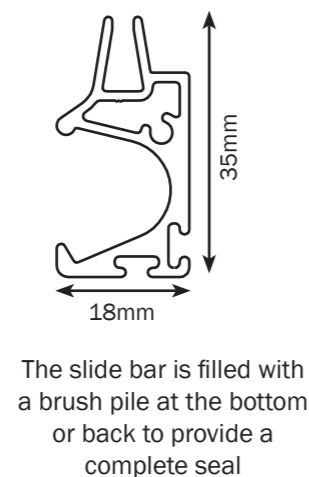
- In-swing and Out-swing windows
- Casement and Awning windows
- Single-hung and Double-hung windows
- Sliding windows and Serveries
- Double-French & Bi-Fold windows



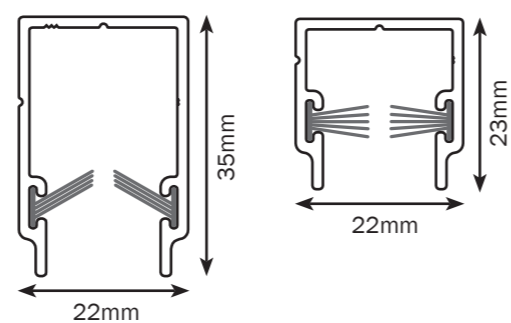
Housing (1:1 Scale)



Slide Bar (1:1 Scale)



Standard & Small Track (1:1 Scale)



The Standard Track is designed for maximum mesh retention in most applications whilst the Small Track has been introduced for internal shading where wind is not a factor

Phantom Screens... Retractable Screening and Shading Solutions



PHANTOM[®]
S C R E E N S

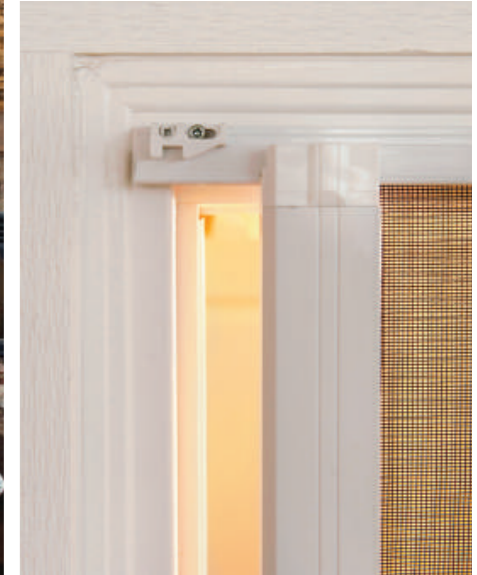
Discover how Phantom Screens can bring greater comfort and beauty to your home.
For your nearest authorised dealer please visit our website or call **1800 630 050**

PHANTOM

Legacy™

Retractable Screens™

Legacy by Phantom is the only retractable door screen with an integrated Latch & Release handle – making it easy to use, quiet to operate and secure from unintended openings.



Features & Benefits

- Phantom's Legacy Screens are simple to operate, durable, and blend with any architectural style
- Phantom Screens are offered in a large range of designer colours to coordinate with the individual décor of your home
- Offers uninterrupted views and natural ventilation combined with protection from insects and harsh glare of the sun
- Allows for interior or exterior mount and recessed installation options
- A unique spring tension system allows the mesh to absorb reasonable impact without sagging or tearing

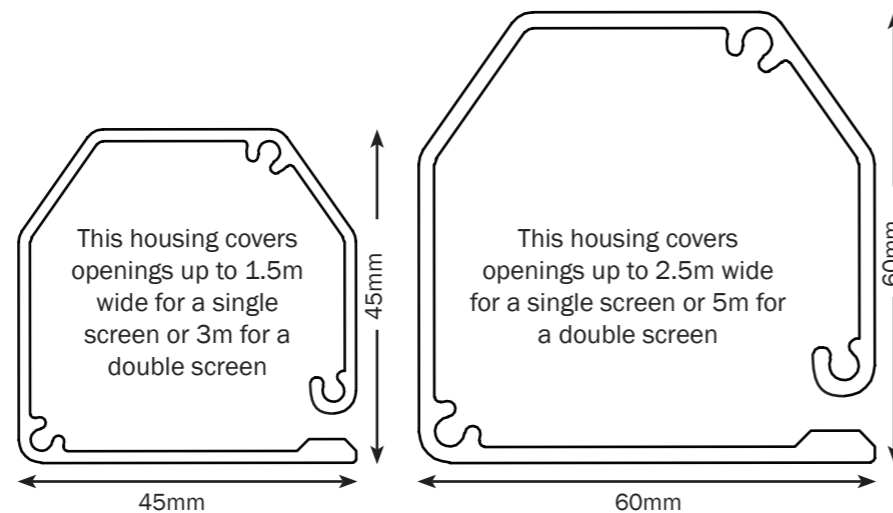
- When not in use Phantom's door screens simply retract out of sight preserving the look of your doorway
- All Phantom Screens products are manufactured from the highest quality marine grade extruded aluminium
- All our products are custom-made to fit your home & installed by an experienced professional
- Easy to maintain for years of trouble-free operation
- For additional peace of mind we offer a Limited Lifetime Warranty

Applications

Phantom Legacy Screens are at home in any setting. Their innovative design and tasteful styling fit into any room you choose - kitchen, front entry, living room, study or bedroom. They're a perfect blend of form and function.

- Double French doors
- Stacker doors
- Bi-Fold doors
- In-Swing or Out-Swing doors
- Sliding doors
- Single doors

Housings (1:1 Scale)



Tracking Options (1:1 Scale)

